



# Parts List

## Atom 500

Version 1.0/2008

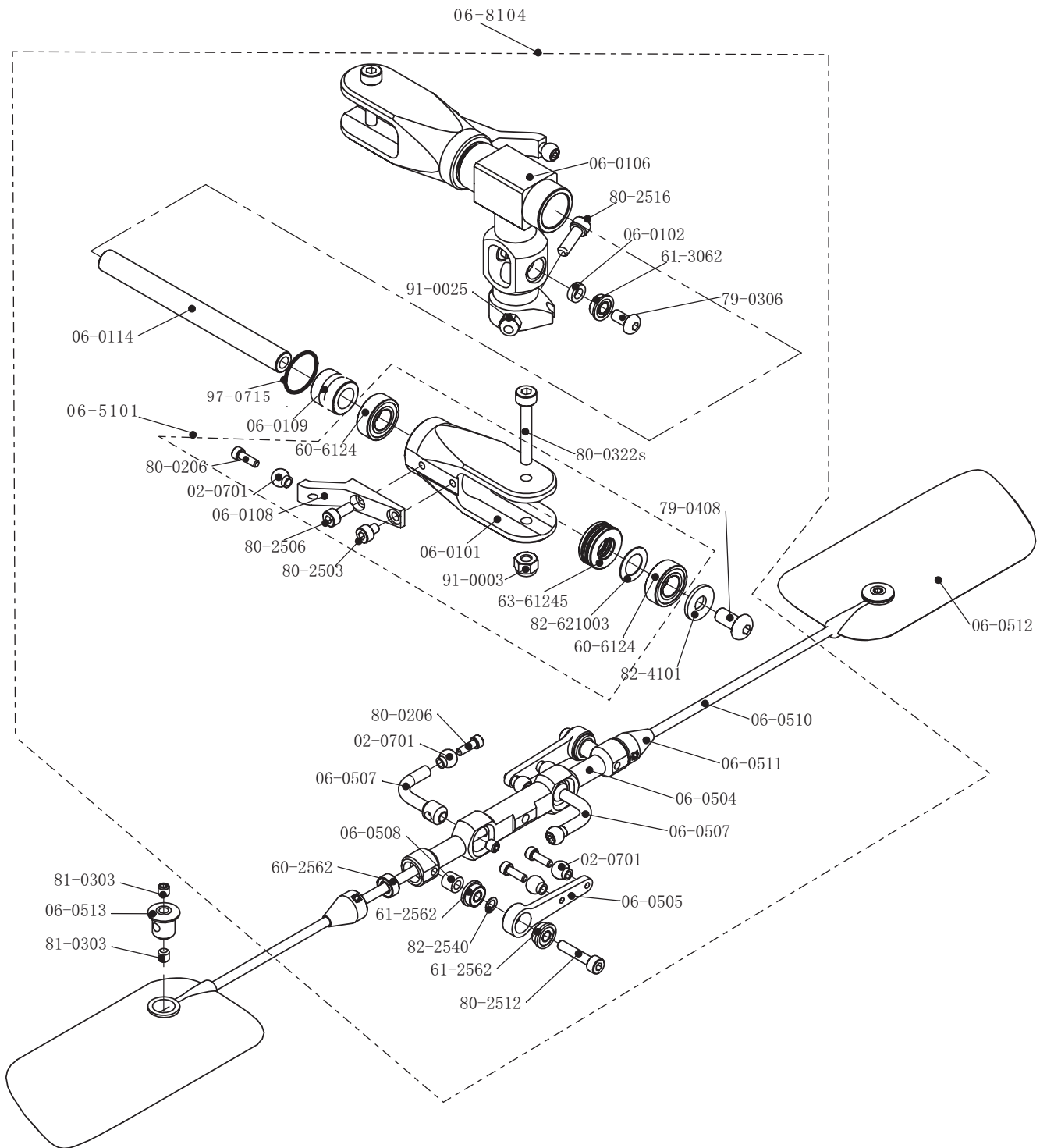


How to order your parts!

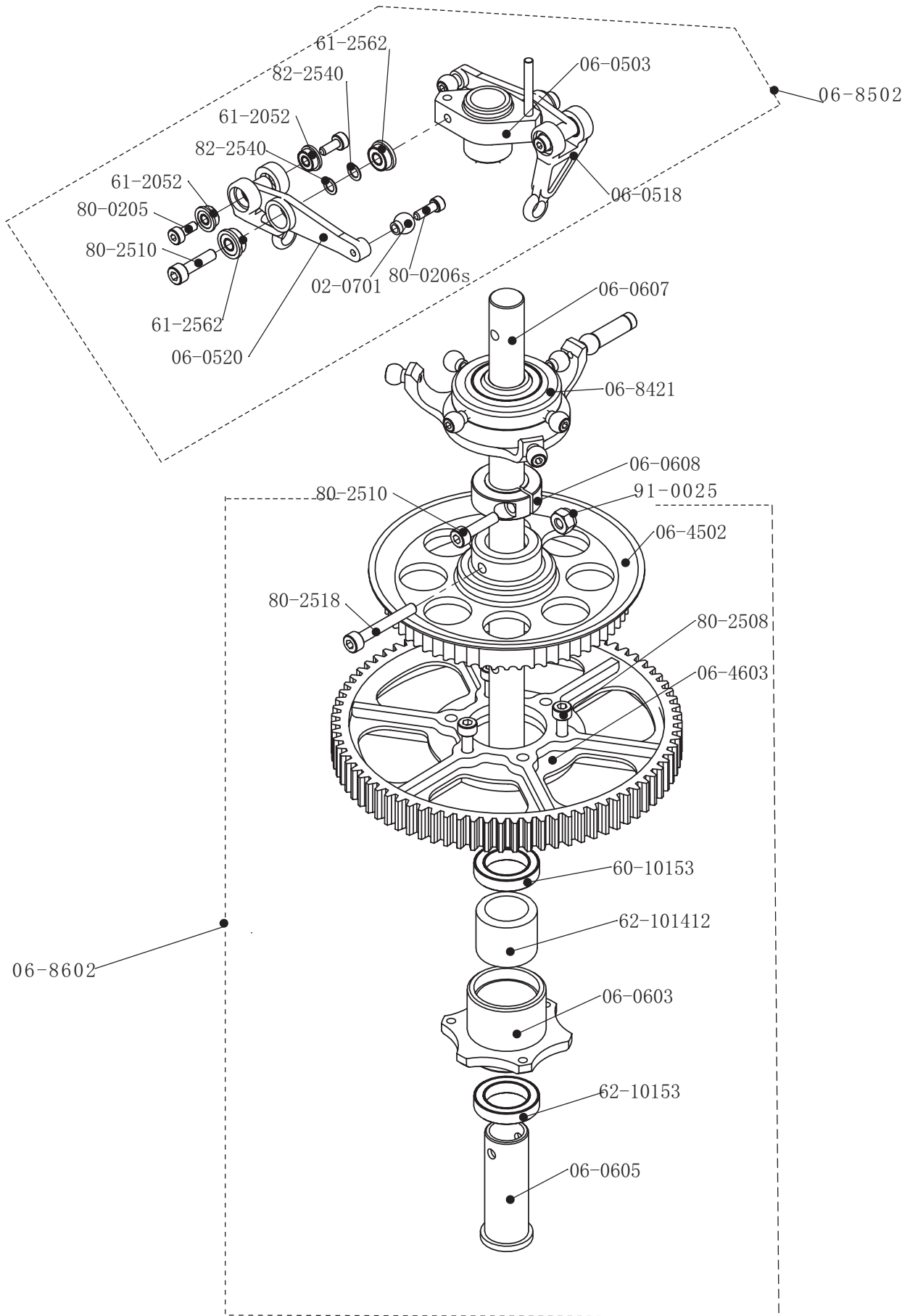
1. Check part number on the drawing
2. Use the part number to find the ORDER number on the list
3. Only use ORDER number for your parts order

Copyright Compass Model 2008

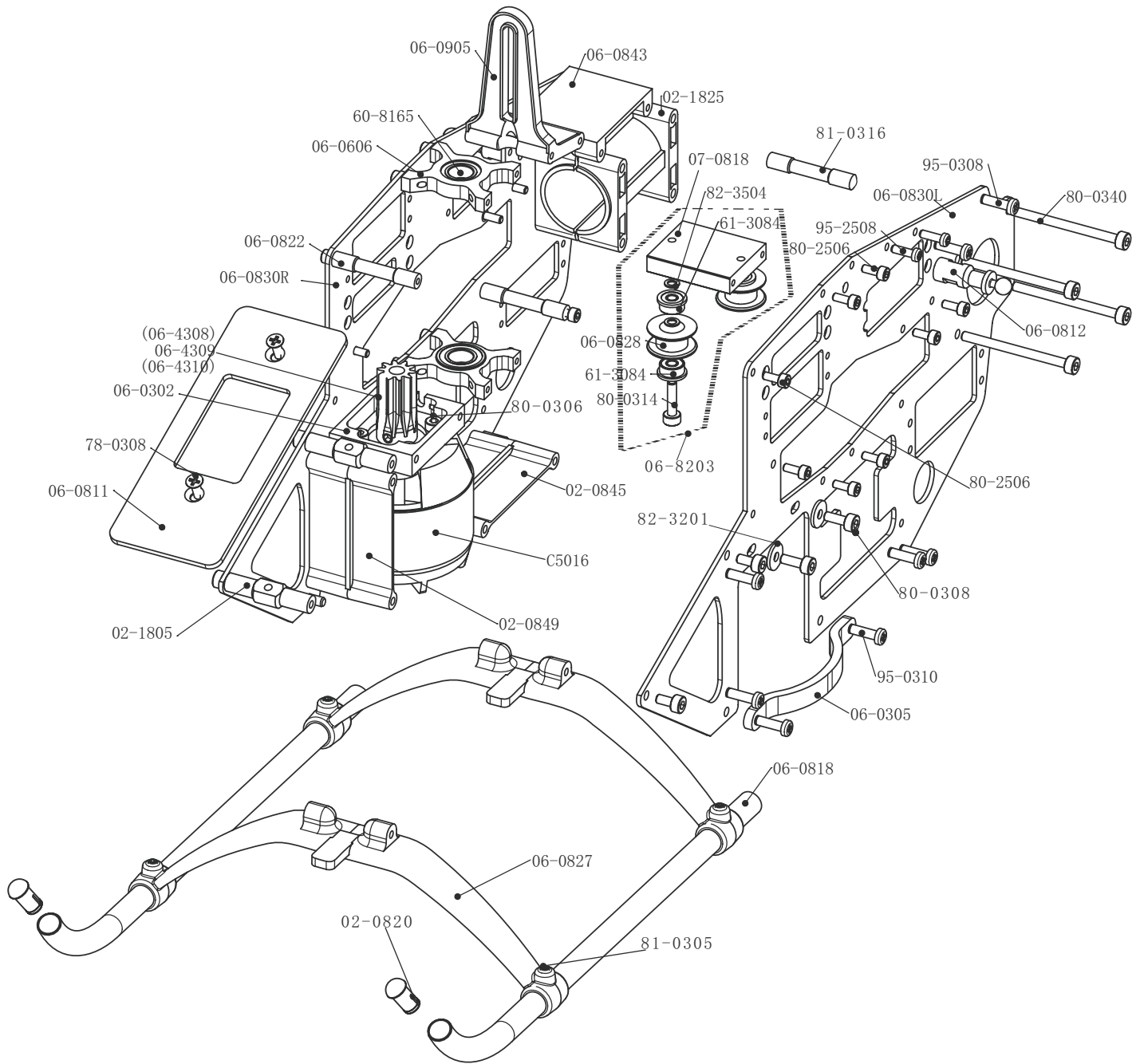
As we continue to improve our products; this parts list may not reflect all recent product amendments.  
For more information, please refer to; [www.compassmodel.com](http://www.compassmodel.com)



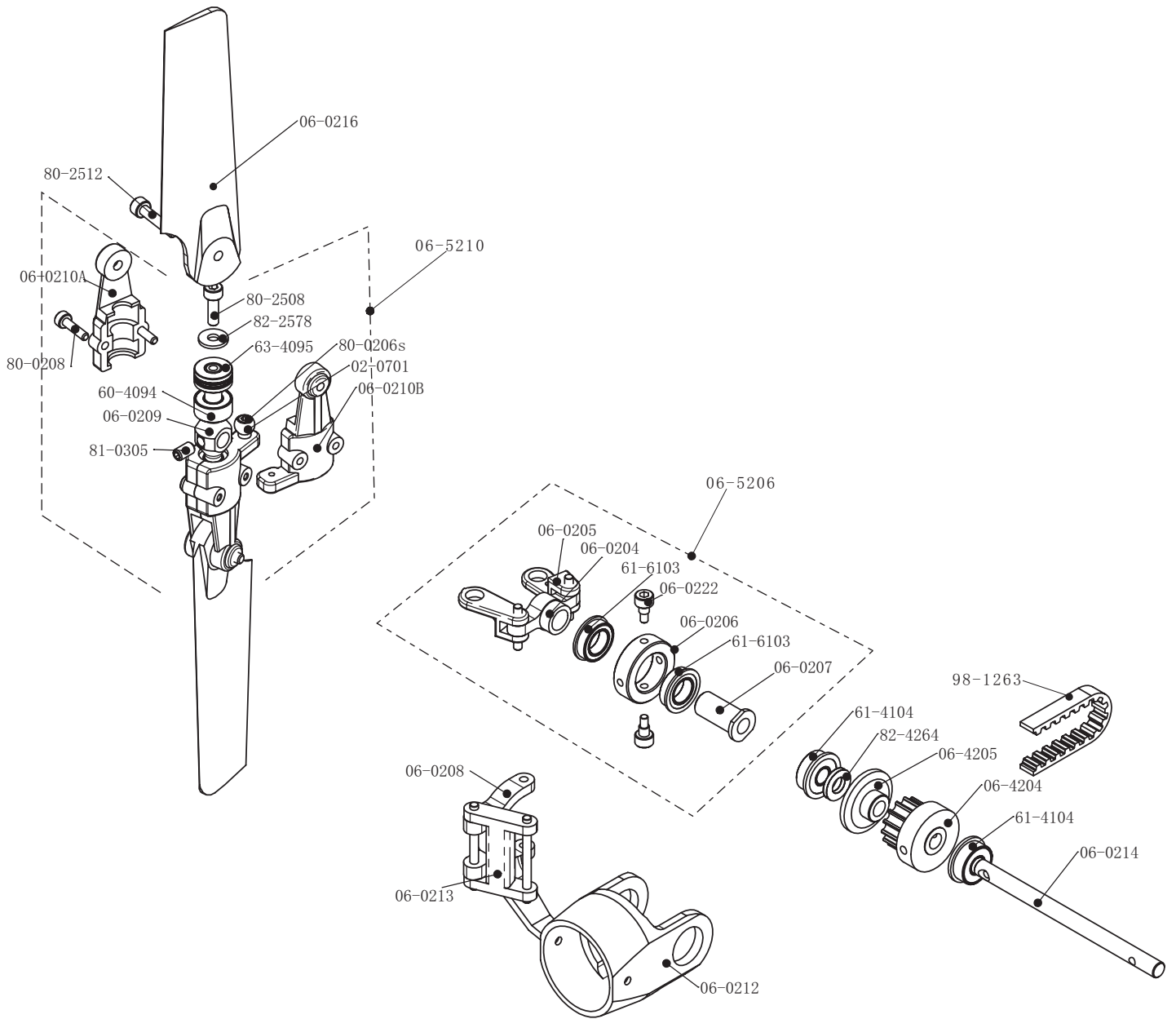
Part No.	名称	Part Description	Order No.	内容	Order Description	Remark
02-0701	不锈钢球头	Stainless link balls	02-0701	不锈钢球头	Stainless link balls	10 pcs/bag
06-0101	大浆夹	main blade holder	06-5101	金属大浆夹总成	main blade holder set	1 pcs/bag
06-0102	垫圈	Rotor Hub washer	06-0106Z	旋翼芯组	rotor hub set	1 set/bag
06-0106	旋翼芯	rotor hub	06-0106Z	旋翼芯组	rotor hub set	1 set/bag
06-0108	浆夹摇臂	Main blade holder arm	06-0108S	浆夹摇臂	Main blade holder arm	1pcs/bag
06-0109	减震橡胶	Delrin Dampner	06-0109	减震橡胶	Delrin Dampner	2 pcs/bag
06-0114	横轴	Spindle	06-0114	横轴	Spindle	3 pcs/bag
06-0504	跷板	Flybar Holder	06-0504	跷板组成	Fly Bar Holder with bearings	1 set/bag
06-0505	混合臂	Mixing Arm	06-0505Z	混合臂组	Mixing Arm set	1pcs/bag
06-0507	稳定翼摇臂	Flybar control arm	06-0507	稳定翼摇臂	Flybar control arm	2 pcs/bag
06-0508	混合臂垫	Mixing Arm collar	06-0505Z	混合臂组	Mixing Arm set	1 pcs/bag
06-0510	稳定翼轴	Fly Bar	06-0510	稳定翼轴	Fly Bar	3 pcs/bag
06-0511	稳定翼套	Fly Bar Collar	06-0511	稳定翼套	Fly Bar Collar	1set/bag
06-0512	稳定翼	500 E paddle	06-0512H	稳定翼11g (标准)	500EPaddleSet(11g default)	1 set/bag
			06-0512L	稳定翼 7g(3D)	500EPaddle Set (7g)	1set/bag
06-0513	稳定翼芯	paddle insert	06-0512H	稳定翼	500EPaddleSet	1 set/bag
06-5101	金属大浆夹总成	main blade holder set	06-5101	金属大浆夹总成	main blade holder set	1 pcs/bag
06-8104	平衡旋翼组	Rotor set with flybarholder	06-8104	平衡旋翼组	Rotor set with flybarholder	1 set/bag
60-2562	轴承2.5X6X2.5	Ball Bearing 2.5X6X2.5	60-2562	轴承2.5X6X2.5	Ball Bearing 2.5X6X2.5	2 pcs/bag
60-6124	轴承6*12*4	Ball Bearing 6X12X4	60-6124	轴承6*12*4	Ball Bearing 6X12X4	2 pcs/bag
61-2562	有边轴承 2.5*6*2.6	Flanged Bearing 2.5X6X2.6	61-2562	有边轴承2.5*6*2.6	Flanged Bearing 2.5X6X2.6	4 pcs/bag
61-3062	有边轴承3*6*2	Flanged Bearing 3x6x2	61-3062	有边轴承3*6*2	Flanged Bearing 3x6x2	4 set/bag
63-61245	压力轴承6*12*4.5	Thrust bearing 6x12x4.5	63-61245	压力轴承6*12*4.5	Thrust bearing 6x12x4.5	2 pcs/bag
79-0306	球头螺丝M3*6	Button Head Bolts M3x6	79-0306	球头螺丝M3*6	Button Head Bolts M3x6	10pcs/bag
79-0408	球头螺丝M4*8	Button Head Bolts M4x8	79-0408	球头螺丝M4*8	Button Head Bolts M4x8	10pcs/bag
80-0206s	杯头螺丝M2*6**	Cap Head Bolt 2x6 for link	80-0206s	杯头螺丝M2*6**	Cap Head Bolt2x6 for linkballs	10pcs/bag
80-0322s	杯头螺丝M3*22截过	Cap Head Bolt M3x22 shanked	80-0322s	杯头螺丝M3*22截过	Cap Head Bolt M3x22	2pcs/bag
80-2503	杯头螺丝M2.5*3用M2.5*5截	Cap Head Bolt M2.5x3	80-2503	杯头螺丝M2.5*3用M2.5*5截	Cap Head Bolt M2.5x3	10pcs/bag
80-2506	杯头螺丝M2.5*6	Cap Head Bolt M2.5x6	80-2506	杯头螺丝M2.5*6	Cap Head Bolt M2.5x6	10pcs/bag
80-2512	杯头螺丝M2.5*12	Cap Head Bolt M2.5x12	80-2512	杯头螺丝M2.5*12	Cap Head Bolt M2.5x12	10pcs/bag
80-2516	杯头螺丝M2.5*30截M2.5*16	Cap Head Bolt M2.5x16	80-2516	杯头螺丝M2.5*30截M2.5*16	Cap Head Bolt M2.5x16	2pcs/bag
81-0303	机米3*3	Set Screw M3x3	81-0303	机米3*3	Set Screw M3x3	10 pcs/bag
82-2540	垫圈2.5*4.1*0.2	Washer 2.5x4.1x0.2	82-2540	垫圈2.5*4.1*0.2	Washer 2.5x4.1x0.2	10pcs/bag
82-4101	垫圈4.1*10*1	Washer 4.1x10x1	82-4101	垫圈4.1*10*1	Washer 4.1x10x1	10pcs/bag
82-621003	垫圈6.2*10*0.3	washer 6.2x10x0.3 on spindle	82-621003	垫圈6.2*10*0.3	washer 6.2x10x0.3 on spindle	10 pcs/bag
91-0003	尼龙保险螺母M3	Nylon nut M3	91-0003	尼龙保险螺母M3	Nylon nut M3	10pcs/bag
97-0715	胶圈10*7*1.5	Rubber Ring 10x7x1.5	97-0715	胶圈10*7*1.5	Rubber Ring10x7x1.5	4 pcs/bag



Part No.	名称	Part Description	Order No.	内容	Order Description	Remark
02-0701	不锈钢球头	Stainless link balls	02-0701	不锈钢球头	Stainless link balls	10 pcs/bag
06-0503	滑块	Washout Base	06-0503S	滑块组	Washout base set	1 set/bag
06-0518	爪形臂座	Washout Links	06-0518	爪形臂座	Washout Links	2 pcs/bag
06-0520	摇臂	Washout control arm	06-0520Z	水平盘控制臂	Wash out control arm	1 pcs/bag
06-0603	自旋轴壳	Autorotation Hub	06-0603Z	自旋轴壳	Autorotation Hub w Bearing	1 set/bag
06-0605	自旋轴	Autorotation Sleeve	06-0605	自旋轴	Autorotation Sleeve	1 pcs/bag
06-0607	主轴	Main Shaft	06-0607	主轴	Main Shaft	1 pcs/bag
06-0608	主轴挡块	Mast Lock	06-0608S	主轴挡块	Mast Lock	1 set /bag
06-4502	皮带轮	Main Pulley	06-4502	皮带轮	Main Pulley	1 pcs/bag
06-4603	大齿轮	Main Gear	06-4603	大齿轮	Main Gear	1 pcs/bag
06-8421	水平盘总成	Swashplate	06-8421	水平盘总成	Swashplate	1 set /bag
06-8502	爪块控制总成	Wash out set	06-8502	爪块控制总成	Wash out set	1 set /bag
06-8602	双齿轮总成	Gear&Pulley Ass.	06-8602	双齿轮总成	Gear&Pulley Ass.	1 set/bag
60-10153	轴承10*15*3	Ball Bearing 10x15x3	60-10153	轴承10*15*3	Ball Bearing 10x15x3	2 pcs/bag
61-2052	有边轴承2*5*2.5	Flanged Bearing 2x5x2.5	61-2052	有边轴承2*5*2.5	Flanged Bearing 2x5x2.5	4 pcs/bag
61-2562	有边轴承2.5*6*2.6	Flanged Bearing 2.5x6x2.6	61-2562	有边轴承2.5*6*2.6	Flanged Bearing 2.5x6x2.6	4 pcs/bag
62-101412	单向轴承10*14*12	One Way Bearing 10x14x12	62-101412	单向轴承10*14*12	One Way Bearing 10x14x12	1 set /bag
80-0205	杯头螺丝M2*5	Cap Head Bolt M2x5	80-0205	杯头螺丝M2*5	Cap Head Bolt M2x5	10pcs/bag
80-0206s	杯头螺丝M2*6**	Cap Head Bolt M2x6 for linkballs	80-0206s	杯头螺丝M2*6**	Cap Head Bolt M2x6 for linkballs	10pcs/bag
80-2508	杯头螺丝M2.5*8	Cap Head Bolt M2.5x8	80-2508	杯头螺丝M2.5*8	Cap Head Bolt M2.5x8	10pcs/bag
80-2510	杯头螺丝M2.5*10	Cap Head Bolt M2.5x10	80-2510	杯头螺丝M2.5*10	Cap Head Bolt M2.5x10	10pcs/bag
80-2518	杯头螺丝M2.5*30截M2.5*18	Cap Head Bolt M2.5x18	80-2518	杯头螺丝M2.5*30截M2.5*18	Cap Head Bolt M2.5x18	2pcs/bag
82-2540	垫圈2.5*4.1*0.2	Washer 2.5x4.1x0.2	82-2540	垫圈2.5*4.1*0.2	Washer 2.5x4.1x0.2	10pcs/bag
91-0025	尼龙保险螺母M2.5	Nylon nut M2.5	91-0025	尼龙保险螺母M2.5	Nylon nut M2.5	10pcs/bag

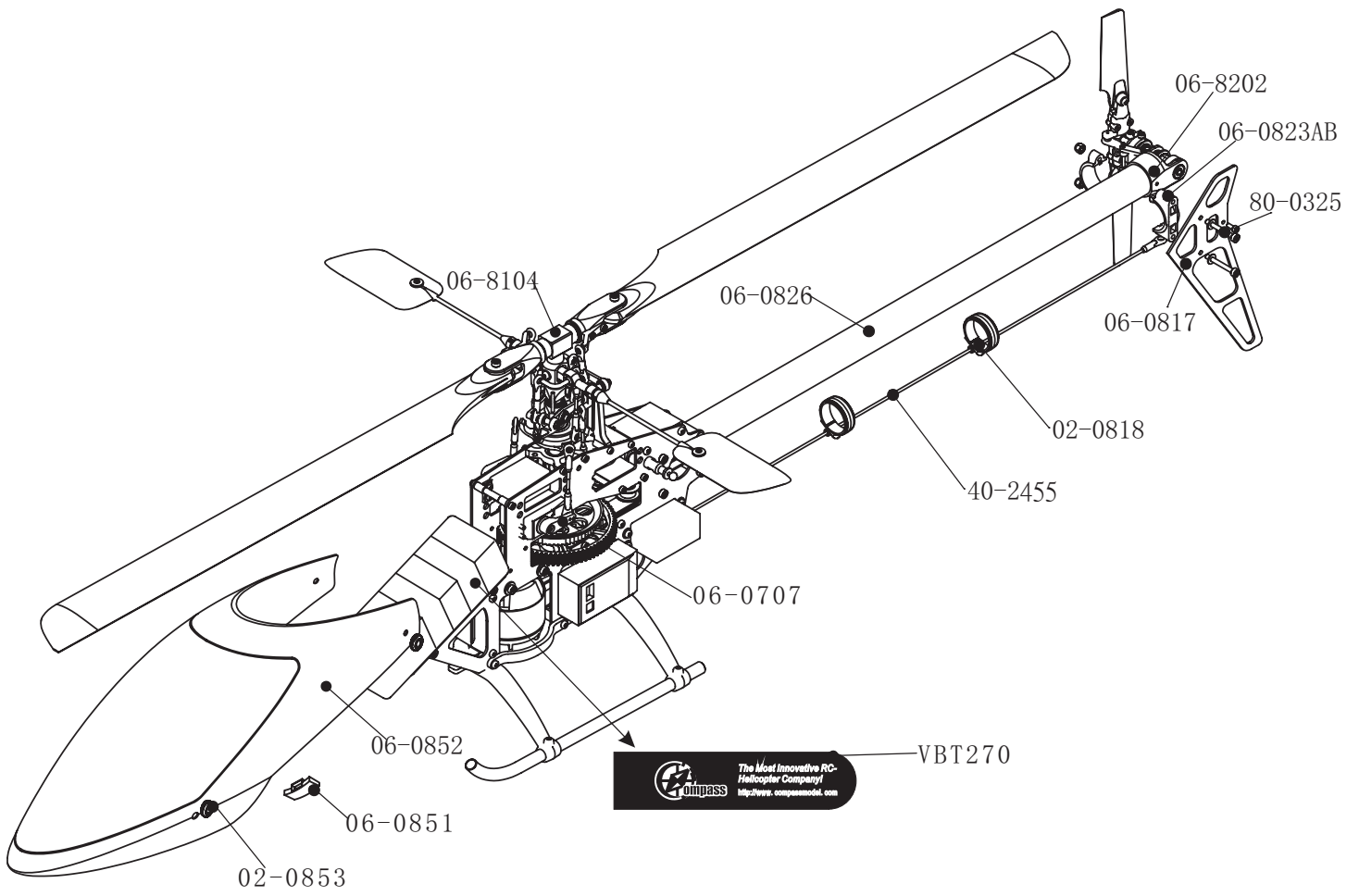


Part No.	名称	Part Description	Order No.	名称	Order Description	Remark
02-0805	接柱M2. 5*30	Cross Member	02-0805	接柱M2. 5*30	Cross Member	5 pcs/bag
02-0845	加强筋	Frame Member	02-0849S	加强筋	Frame Member	2 pcs/bag
02-0849	加强筋	Frame Member	02-0849S	加强筋	Frame Member	2 pcs/bag
02-1805	接柱M3*30	Cross Member	02-1805	接柱M3*30	Cross Member	2 pcs/bag
02-1825	尾管夹	Tail Boom Mount	02-1825S	尾管夹	Tail Boom Mount w, Bolts	1 set/bag
06-0302	电机座	Motor Mount	06-0302S	电机座	Motor Mount w, Bolts	1 set/bag
06-0305	侧板加强筋模具件	Frame Connector(Plastic)	06-0305	侧板加强筋模具件	Frame Connector w, Bolts	2 pcs/bag
06-0606	轴承座	Bearing Block	06-0606Z	轴承座	Bearing Block w, Bearing	1 pcs/bag
06-0811	机械架	Battery Tray	06-0811S	机械架	Battery Tray w, Bolts	1 pcs/bag
06-0812	头罩接柱	Canopy Standoff	06-0812	头罩接柱	Canopy Standoff	2 pcs/bag
06-0818	滑撬管	Skid	06-0818S	滑撬管	Skid	2 pcs/bag
06-0822	接柱M2*30	Cross Member	06-0822	接柱M2*30	Cross Member	2 pcs/bag
06-0827	滑撬腿	Struts	06-0827	滑撬腿	Struts	2 pcs/bag
06-0828	滑轮	Guide Pulley	06-0828Z	滑轮组	Guide Pulley Set	2 set/bag
06-0830L	侧板（左）	Left Frame	06-0830L	侧板（左）	Frame Left	1 pcs/bag
			06-0830LT	碳侧板（左）	Frame Left Carbon	1 pcs/bag
06-0830R	侧板（右）	Right Frame	06-0830R	侧板（右）	Frame Right	1 pcs/bag
			06-0830RT	碳侧板（右）	Frame Right Carbon	1 pcs/bag
06-0843	陀螺架	Gyro Mount	06-0843	陀螺架	Gyro Mount	1 pcs/bag
06-0905	保持架	Swashplate Guide	06-0905	保持架	Swashplate Guide	1 pcs/bag
06-4308	驱动齿轮	Pinion Gear (8t)	06-4308	驱动齿轮	Pinion Gear (8t)	1set/bag
06-4309	驱动齿轮	Pinion Gear (9t)	06-4309	驱动齿轮9齿	Pinion Gear (9t)	1 set/bag
06-4310	驱动齿轮	Pinion Gear (10t)	06-4310	驱动齿轮9齿	Pinion Gear (10t)	1 set/bag
06-8203	滑轮组	Guide Pulley Set	06-8203	滑轮组	Guide Pulley Set	1 set/bag
07-0818	压带轮座	Guide Pulley Mount	07-0818	压带轮座	Guide Pulley Mount	1 set/bag
60-8165	轴承8*16*5	Ball Bearing 8x16x5	60-8165	轴承8*16*5	Ball Bearing 8x16x5	2 pcs/bag
61-3084	有边轴承3*8*4	Flanged Bearing 3x8x4	61-3084	有边轴承3*8*4	Flanged Bearing 3x8x4	2 pcs/bag
78-0308	平头螺丝3*8	Flat head bolt M4x8	78-0308	平头螺丝3*8	Flat head bolt M4x8	10pcs/bag
80-0306	杯头螺丝M3*6	Cap Head Bolt M3x6	80-0306	杯头螺丝M3*6	Cap Head Bolt M3x6	10 pcs/bag
80-0308	杯头螺丝M3*8	Cap Head Bolt M3x8	80-0308	杯头螺丝M3*8	Cap Head Bolt M3x8	10pcs/bag
80-0314	杯头螺丝M3*12	Cap Head Bolt M3x14	80-0314	杯头螺丝M3*14	Cap Head Bolt M3x14	10pcs/bag
80-0340	杯头螺丝M3*40	Cap Head Screw M3x40	80-0335	杯头螺丝M3*40	Cap Head Screw M3x40	10 pcs/bag
80-2506	杯头螺丝M2. 5*6	Cap Head Bolt M2.5x6	80-2506	杯头螺丝M2. 5*6	Cap Head Bolt M2.5x6	10pcs/bag
81-0305	机米3*5	Set Screw M3x5	81-0305	机米3*5	Set Screw M3x5	10 pcs/bag
81-0316	机米3*16	Set Screw M3x16	81-0316	机米3*16	Set Screw M3x16	10 pcs/bag
82-3201	垫圈3. 2*10*1. 2	Washer 3.2x10x1.2	82-3201	垫圈3. 2*10*1. 2	Washer 3.2x10x1.2	10pcs/bag
82-3504	垫圈3. 2*5. 2*0. 4	washer 3.2x5.2x0.4	82-3504	垫圈3. 2*5. 2*0. 4	washer 3.2x5.2x0.4	10pcs/bag
91-0003	尼龙保险螺母M3	Nylon nut M3	91-0003	尼龙保险螺母M3	Nylon nut M3	10pcs/bag
95-0310	塑料螺丝M3*10	Selftapping Bolts M3x10	95-0310	塑料螺丝M3*10	Selftapping Bolts M3x10	10 pcs/bag
95-2508	塑料螺丝M2. 5*8	Selftapping Bolts M2.5x8	95-2508	塑料螺丝M2. 5*8	Selftapping Bolts M2.5x8	10pcs/bag
C5016	电机	BL Motor for Atom500 6S	C-5016	电机	BL Motor for Atom500 6S	1 set/bag





Part No.	名称	Part Description	Order No.	名称	Order Description	Remark
02-0701	不锈钢球头	Stainless Link Ball	02-0701	不锈钢球头	Stainless Link Ball	10 pcs/bag
06-0204	尾桨螺距杆	Tail Pitch Plate	06-0204s	尾桨螺距杆组	Tail Pitch Plate w 205	1 set/bag
06-0205	尾桨球接头(模具件)	Tail Blade Links	06-0205s	尾桨球接头	Tail Blade Links w, Pin	2 set /bag
06-0206	尾螺距盘	Tail Pitch Slider	06-0206z	尾螺距盘组	Tail Pitch Slider w, BB	1 set/bag
06-0207	滑套	Tail Slider Ring Sleeve	06-0207	滑套	Tail Slider Ring Sleeve	1 pcs/bag
06-0209	尾桨芯	Tail Hub	06-0209	尾桨芯	Tail Hub	1 pcs/bag
06-0210AB	尾桨夹(模具件)	Tail Blade Grip	06-0210AB	尾桨夹(模具件)	Tail Blade Grip	2 pcs/bag
06-0212	尾齿轮箱	Tail Gear  Box	06-0212Z	尾齿轮箱	Tail Gear  Box	1 set /bag
06-0208	尾螺距摇臂(模具件)	Tail Pitch Lever(crank)	06-0213S	侧板臂组(模具件)	Tail Pitch Lever set	1 set/bag
06-0213	侧板臂(模具件)	Tail Pitch Lever (H)	06-0213S	侧板臂(模具件)	Tail Pitch Lever set	1 set /bag
06-0214	尾轴	Tail Shaft	06-0214	尾轴	Tail Shaft	2 pcs/bag
06-0216	尾桨(模具件)	Tail Blade	06-0216	尾桨(模具件)	Tail Blade	2 pcs/bag
06-0222	导向销	Guide Pin Bolts	06-0222	导向销	Guide Pin Bolts	2pcs/bag
06-4204	尾皮带轮(模具件)	Tail Pulley	06-4204s	尾皮带轮(模具件)	Tail Pulley set	1 set/bag
06-4205	尾皮带轮盖(模具件)	Tail Pulley Cover	06-4204s	尾皮带轮(模具件)	Tail Pulley set	1 set /bag
06-5206	尾螺距控制组	Tail Control Set	06-5206	尾螺距控制组	Tail Control Set	1 set /bag
06-5210	尾旋翼头套件	Tail rotor set	06-5210	尾旋翼头套件	Tail rotor set	1 set /bag
60-4094	轴承4*9*4	Ball Bearing 4x9x4	60-4094	轴承4*9*4	Ball Bearing 4x9x4	5 pcs/bag
61-4104	有边轴承4*10*4	Flanged Bearing 4x10x4	61-4104	有边轴承4*10*4	Flanged Bearing 4x10x4	2 pcs/bag
61-6103	有边轴承6*10*3	Flanged Bearing 6x10x3	61-6103	有边轴承6*10*3	Flanged Bearing 6x10x3	2 pcs/bag
63-4094	压力轴承4*9*4	thrust bearing 4x9x4	63-4094	压力轴承4*9*4	thrust bearing 4x9x4	2 pcs/bag
80-0206s	杯头螺丝M2*6**	Cap Head Bolt M2x6 for linkballs	80-0206s	杯头螺丝M2*6**	Cap Head Bolt M2x6 for linkballs	10pcs/bag
80-0208	杯头螺丝M2*8普通	Cap Head Bolt M2x8	80-0208	杯头螺丝M2*8普通	Cap Head Bolt M2x8	10pcs/bag
80-2508	杯头螺丝M2.5*8	Cap Head Bolt M2.5x8	80-2508	杯头螺丝M2.5*8	Cap Head Bolt M2.5x8	10pcs/bag
80-2512	杯头螺丝M2.5*12	Cap Head Bolt M2.5x12	80-2512	杯头螺丝M2.5*12	Cap Head Bolt M2.5x12	10pcs/bag
81-0305	机米3*5	Set Screw M3x5	81-0305	机米3*5	Set Screw M3x5	10 pcs/bag
82-2507	垫圈2.7*7*0.8	Washer 2.7x8x0.8	82-2507	垫圈2.7*7*0.8	washer 2.7x8x0.8	10pcs/bag
82-4264	垫圈4.2*6.4*0.26	Washer 4.2x6.4x.026	82-4264	垫圈4.2*6.4*0.26	Washer 4.2x6.4x.026	10pcs/bag
98-1263	皮带1263-3M	Belt	98-1263	500E皮带	Belt	1 pcs/bag



Part No.	名称	Part Description	Order No.	名称	Order Description	Remark
02-0709	球头接头	Ball Links	<b>02-0709</b>	球头接头	Ball Links	10 pcs/bag
02-0818	尾推杆保持架	Tail Linkrod Guide	<b>02-0818s</b>	尾推杆保持架	Tail Linkrod Guide	4pcs/bag
02-0853	头罩减震橡胶	Canopy Dampner	<b>02-0853</b>	头罩减震橡胶	Canopy Dampner	10pcs/bag
06-0817	垂直尾翼	Tail Fin	<b>06-0817</b>	垂直尾翼	Tail Fin	1 pcs/bag
			<b>06-0817T</b>	垂直尾翼碳	Tail Fin Carbon	1 pcs/bag
06-0823AB	水平尾翼座	Horizontal fin band	<b>06-0823AB</b>	水平尾翼座组成	Horizontal fin band	1set/bag
06-0826	尾管	Tail Boom	<b>06-0826</b>	尾管	Tail Boom	2pcs/bag
06-0851	头罩插销	Canopy Insert	<b>06-0851</b>	头罩插销	Canopy Insert	1 set/bag
06-0852	玻纤头罩(喷彩)	Painted Canopy	<b>06-0852S</b>	喷彩头罩组	Painted Canopy	1 set/bag
			<b>06-0852w</b>	白色头罩	White Canopy	1 set/bag
06-8202	尾变速箱总成	Tail Gear Box Set	<b>06-8202</b>	尾变速箱总成	Tail Gear Box Set	1set/bag
40-2455	连杆1.7*455	Tail Link Rod	<b>40-2455</b>	连杆1.7*455	Tail Link Rod	1 pcs/bag
80-0325	杯头螺丝M3*25	Cap Head Screw M3x25	<b>80-0325</b>	杯头螺丝M3*25	Cap Head Screw M3x25	10pcs/bag
82-3201	垫圈3.2*10*1.2	Washer 3.2x10x1.2	<b>82-3201</b>	垫圈3.2*10*1.2	Washer 3.2x10x1.2	10pcs/bag
91-0003	尼龙保险螺母M3	Nylon nut M3	<b>91-0003</b>	尼龙保险螺母M3	Nylon nut M3	10pcs/bag
40-2010	连杆1.7*10	Link Rod	<b>E-LG-04</b>	500E连杆组	Link Rod Set	1set/bag
40-2015	连杆1.7*15	Link Rod	<b>E-LG-04</b>	500E连杆组	Link Rod Set	1 set/bag
40-2030	连杆1.7*30	Link Rod	<b>E-LG-04</b>	500E连杆组	Link Rod Set	1set/bag
06-0707FU	舵机摇臂 (HITECH&JR)	Servo Arm(FUTABA)	<b>06-0707FU</b>	舵机摇臂 (HITECH&JR)	Servo Arm(FUTABA)	1 set/bag
06-0707JR	舵机摇臂 (HITECH&JR)	Servo Arm(HITECH&JR)	<b>06-0707JR</b>	舵机摇臂 (HITECH&JR)	Servo Arm(HITECH&JR)	1 set/bag
VBT270	魔术贴日子扣 270x20	Velcro Binding Tape 270x20	<b>VBT270</b>	魔术贴日子扣 270x20	Velcro Binding Tape 270x20	4pcs/bag



**COMPASS MODEL (HK) LIMITED**

[www.compassmodel.com](http://www.compassmodel.com)